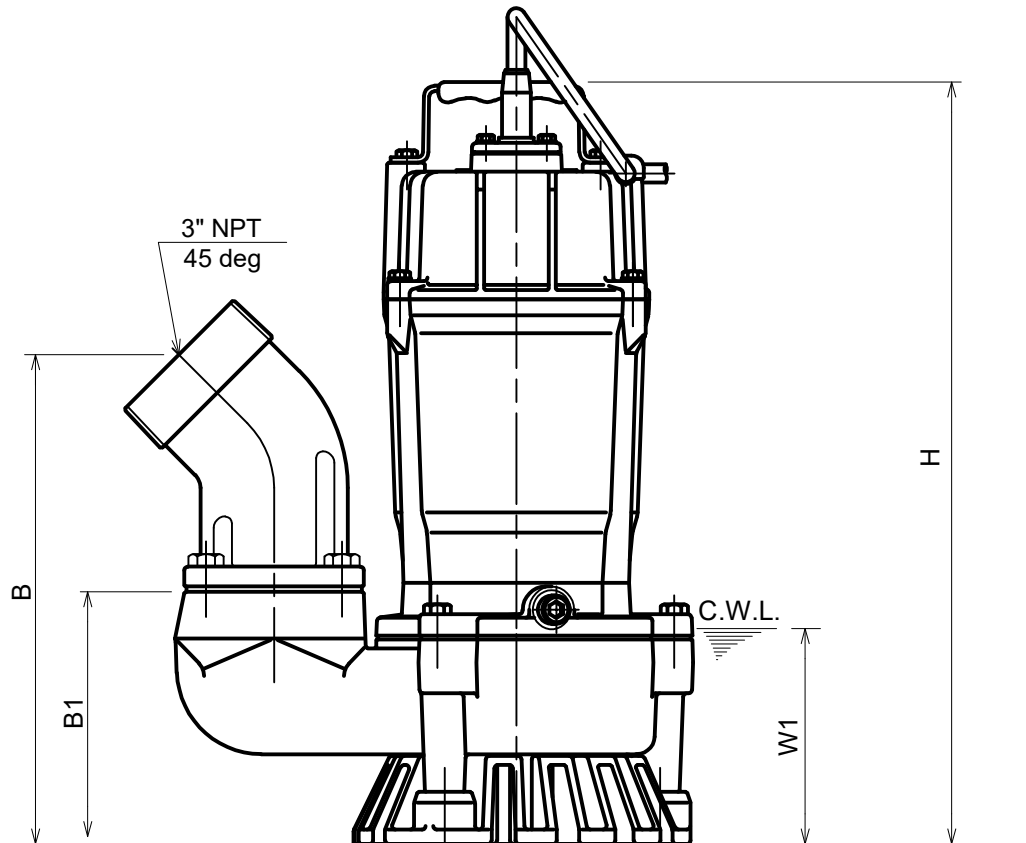
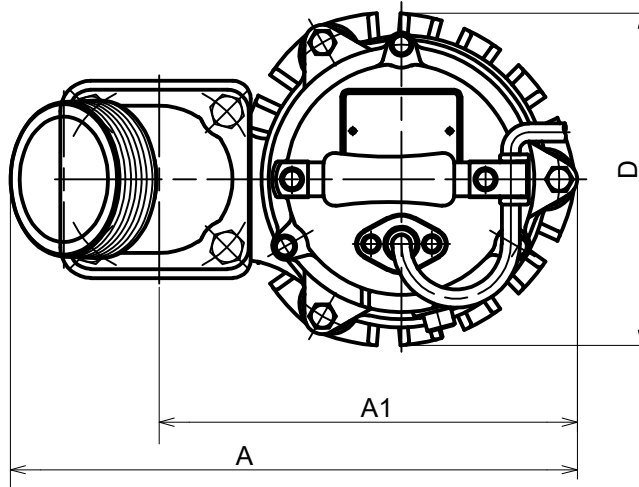


**HS3.75SL-62**



C.W.L. :Continuous running Water Level

**DIMENSIONS:USCS (Inch)**

Model	HP	NOM. SIZE	Pump & Motor						C.W.L.	Wt.*
			A	A1	B	B1	D	H	W1	(lbs.)
HS3.75SL-62	1	3"	12 7/16	9 3/16	10 3/4	5 9/16	7 1/4	16 3/4	4 3/4	49

**DIMENSIONS:METRIC (mm)**

\*Excluding Cable

Model	kW	NOM. SIZE	Pump & Motor						C.W.L.	Wt.*
			A	A1	B	B1	D	H	W1	(kg)
HS3.75SL-62	0.75	80	316	233	273	141	184	425	120	22.4